

ROTOLIGHT TITAN™ X2

The Rotolight Titan™ X2 redefines the standard for cinematic lighting. A ground-breaking LED soft light, it utilizes state of the art RGBWW technology to deliver unparalleled light output, outstanding colour accuracy for gorgeous skin tones and a suite of industry-first features to enhance the creative possibilities of lighting professionals. Designed and manufactured in the UK, the Titan™ X2 delivers the very latest in LED technology in a sleek yet robust package, engineered to last.

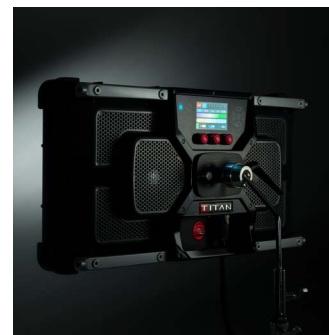
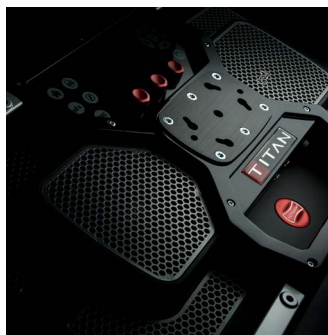
Titan™ X2 is the brightest 2x1 soft light ever made, with none of the added weight. Meticulous in its colour rendition, Titan™ X2 excels in both CRI and TLCI performance, saving time in post-production. With industry-first SmartSoft™ technology, you can electronically adjust the light's diffusion, focus and spread; eliminating the need for gels, whilst its gorgeous soft output and large beam aperture wraps flatteringly around subjects.

Effortlessly access key features with an easy to use interface, quick-start icons, and 50 user customisable presets, saving time on set. With a full-colour touchscreen display, preview Titan's™ extensive



filter library to ensure that you achieve the exact colour you want at a moment's notice.

The Titan™ X2 also features Rotolight's award-winning suite of user customisable CineSFX™ (Fire, Lightning, TV, Gunshot, Paparazzi and more); providing endless creative possibilities on set. Equipped with High Speed Sync flash (1/8000th) with powerful output and zero recycle time; Titan™ X2 is also ideal for high-end studio and portrait photographers.



Photometric Data	1m / 3.3ft			3m / 9.8ft			5m / 16.4 ft			7m / 23 ft			9m / 29.5 ft		
Rotolight Titan™ X2	3200K	4000K	5600K	3200K	4000K	5600K	3200K	4000K	5600K	3200K	4000K	5600K	3200K	4000K	5600K
Titan™ X2 No Diffusion	15900 lx 1477 fc	23500 lx 2183 fc	16500 lx 1533 fc	2220 lx 206 fc	3270 lx 304 fc	2260 lx 210 fc	939 lx 87 fc	1380 lx 128 fc	1120 lx 104 fc	548 lx 51 fc	802 lx 75 fc	551 lx 51 fc	384 lx 36 fc	560 lx 52 fc	377 lx 35 fc
Titan™ X2 50% Diffusion	14500 lx 1347 fc	20000 lx 1858 fc	11900 lx 1106 fc	2080 lx 193 fc	3110 lx 289 fc	1750 lx 163 fc	872 lx 81 fc	1310 lx 122 fc	877 lx 81 fc	472 lx 44 fc	756 lx 70 fc	397 lx 37 fc	346 lx 32 fc	512 lx 48 fc	284 lx 26 fc
Titan™ X2 Full Diffusion	9060 lx 842 fc	11100 lx 1031 fc	6250 lx 581 fc	1320 lx 123 fc	1660 lx 154 fc	929 lx 86 fc	573 lx 53 fc	715 lx 66 fc	475 lx 44 fc	318 lx 30 fc	405 lx 38 fc	227 lx 21 fc	222 lx 21 fc	277 lx 26 fc	158 lx 15 fc
Titan™ X2 With Intensifier <small>(DOP Choice™ SnapBag for Titan X2 used as intensifier)</small>	17200 lx 1597 fc	25400 lx 2359 fc	16500 lx 1533 fc	2640 lx 245 fc	4090 lx 379 fc	2250 lx 209 fc	1080 lx 100 fc	1690 lx 157 fc	1232 lx 114 fc	583 lx 54 fc	929 lx 86 fc	606 lx 56 fc	411 lx 38 fc	641 lx 60 fc	355 lx 33 fc

Rotolight Titan X2 measured using shipping production unit serial SKY000188 measured in March 2020 in a controlled environment, using a Sekonic C-800 light meter, Titan in Max Lux Mode. Lux readings accurate to +/- 10%.

Order no.	Description	Barcode
RL-TITAN-X2-Y	Titan X2 with Standard Yoke	5060222852141
RL-TITAN-X2-P	Titan X2 with Pole Operated Yoke	5060222852158
RL-TITAN-X2-S	Titan X2 with Centre Mount Swan Neck	5060222852134

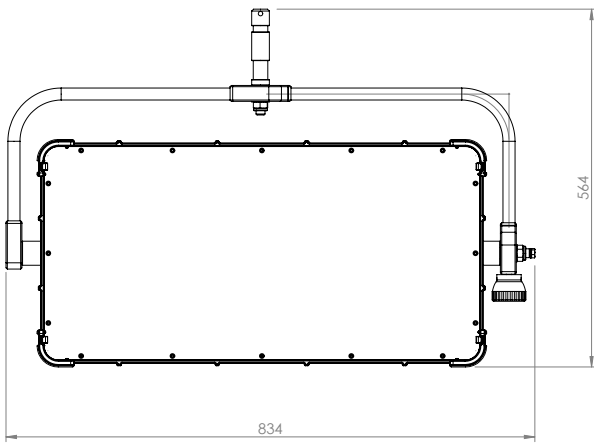
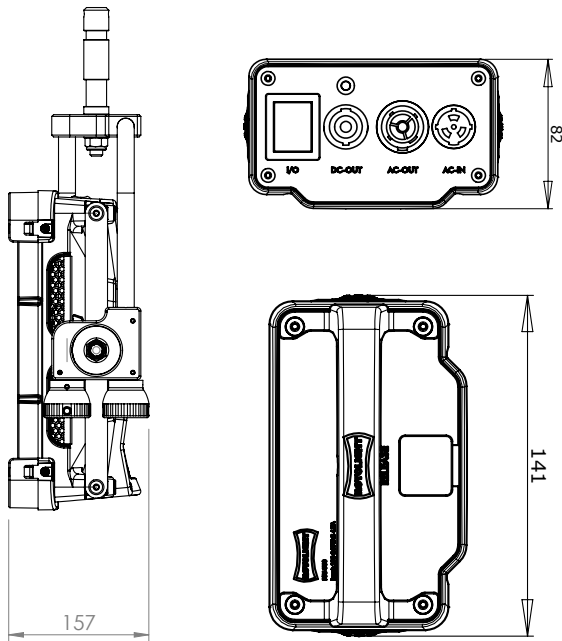


Diagram shows Titan™ X2 with Pole Operated Yoke



Technical Specifications: Power Supply Unit

Power Supply Input Range	110 to 240 V AC, 50/60 Hz
Power Supply Output	24 V DC 750 watt
Power Input Connector	PowerCON TRUE1 (Bare Ends/Shuko/Edison cables available)
Power Output Connector	PowerCON TRUE1 (mains power through)
DC Output Connector	Female speakCON (positive pin 1+ 2+ / negative pin 1- 2-)
Weight	3.6kg / 7.9 lbs
Dimensions	380 mm x 135 mm x 85 mm
Control	On-board latching on/off switch
Mounting	Central K-Mount, latching K-Mount, or to truss/pole via K-Mount adapter with superclamp
Certifications	CE, CB, cNRTLus, TUV, FCC, PSE, UL

Accessories:

Titan™ X2 spares and accessories are available at rotolight.com and selected resellers.

Technical Specifications: Lamphead

LED System	Rotolight PentaChromatic Colour Engine™
Diffuser System	Rotolight SmartSoft™ Diffusion
Light Aperture	650 x 300 mm / 25.6" x 11.8"
Beam Angle	Electronically variable 68 degrees to 150 degrees
Weight	Titan™ X2 body: 11.5kg / 25.3 lbs Titan™ X2 + standard yoke: 13.6kg / 29.9 lbs Titan™ X2 + pole operated yoke: 15.1kg / 33.2 lbs Titan™ X2 + swan-neck: 12.5kg / 27.5 lbs
Dimensions	Titan™ X2 body: 350 x 150 x 705mm 13.7" x 5.9" x 27.7" Titan™ X2 body + standard yoke: 575 x 150 x 830mm 22.6" x 5.9" x 32.6" Titan™ X2 body + pole operated yoke: 560 x 155 x 850mm 22" x 6.1" x 33.4" Titan™ X2 + K-mount swan neck: 350 x 295 x 705mm 20.9" x 5.4" x 27.7"
Handling	Pole operated yoke (pan and tilt), standard yoke K-mount swan-neck with baby 16mm socket
Mounting	28mm Junior Spigot or 16mm baby spigot (K-Mount swan-neck)
Tilt Angle	+/- 90 Degrees
Lamphead DC Voltage Input	24 V DC
Power Consumption	420W Nominal
Lamphead Power Connection	Neutrik Speakon (Positive Pin 1+ 2+ / Negative Pin 1- 2-)
Battery DC Voltage Range	20.5 V DC to 26 V DC
Battery Mode Light Output	4 way adapter : 80%
White Light	3000K to 10,000K continuously variable Correlated Colour Temperature
Coloured Light	Full RGBWW colour gamut with Hue, Saturation and Diffusion control
Colour Temperature Tolerance	+/- 50 K (nominal), +/- 5% green-magenta (nominal)
CRI (Ra)	>95
TLCI	4000K : 99 3200K : 98 5600K : 97
Green-Magenta Adjustment	Continuously variable (full minusgreen to full plusgreen)
Dimming	0 - 100 % continuous
Diffusion	0 - 2 stops continuous (0%- 100%)
Control	Local 5 pin DMX, RJ45, Bluetooth, LumenRadio, wired/wDMX, Elinchrom Skyport
Remote Device Management (RDM)	DMX setup, hour counter, and standard RDM commands
Flash	Skyport HSS (range 200M), up to 1/8000th sec
Software Interface	Firmware/software upgrade via USB-A
Factory Interface	Firmware installation, system configuration and calibration interface
Housing Colour	Black, red and silver
Ambient temperature operation	-20 to +45°C (-4 to 113 degrees Fahrenheit) Active Intelligent Thermal Management
Protection Class / IP Rating	IP20
Estimated LED Lifetime (L70)	50,000 hours
Estimated colour shift over lifetime (CCT)	+/- 5 %
Certifications	CE, FCC, UL, TÜV Rheinland , CB, cTUVus, PSE
Safety Testing	UL 1573:2003, UL 8750, CAN/CSA C22.2 No166-15:2015, CAN/CSA C22.2 No 9 051-97:2011, CSA C22.2 NO. 250.13 IEC 60598-1 - Luminaire Safety EN 62471 - Photobiological safety of lamps and lamp systems